



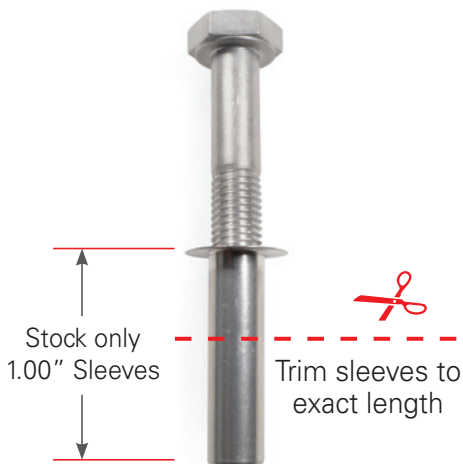
**ADHESIVE - BONDED
FASTENER TECHNOLOGY**

CB787 Sleeve Trimmer Kit



Trims BOLTMOD® Sleeves to Create
1st and 2nd Oversize 06 and 08 Bolts

- Eliminate the need for stocking oversize bolts
- Mitigates AOG status due to out-of-stock oversize bolts
- Less inventory, stock only 1" length 06 and 08 sleeves
- Kit includes all required tools*
- Trimmer tool is precision-engineered for accuracy and durability
- Heavy-duty storage case makes tools easily accessible and portable



PIONEERING > ADVANCED > SOLUTIONS

*Trimmer kit requires 200-500 RPM drill motor (not included)

CB787 Sleeve Trimmer Kit | Kit Contents



1 Case With Die Cut Foam and Label

Store tools when not in use, portable.

2 Deburr Tool

Used to smooth the end of the sleeve after trimming to remove any burrs left behind from the trimming operation.

3 Sleeve Trimmer Tool

Used with the piloted trimmers (13 and 14) to trim sleeves to the desired length.

4 1/8" Hex Wrench

Used to remove the set screw from the flat base if necessary.

5 1/16" Hex Wrench

Used to remove pilot pins from the trimmer when trimmer replacement is needed..

6 Sleeve Trimmer Base With 100 Degree Nose Center

Used to mate to the 100 degree sleeve during clamping to secure the sleeve during the trimming operation.

7 Sleeve Trimmer Base With Set Screw, Base

Used to fill the hole on the base to prevent shavings from filling the base during the trimming operation.

8 Size 06 Sleeve Trimmer First Oversize Clamp Plate*

9 Size 06 Sleeve Trimmer Second Oversize Clamp Plate*

10 Size 08 Sleeve Trimmer First Oversize Clamp Plate*

11 Size 08 Sleeve Trimmer Second Oversize Clamp Plate*

12 Sleeve Trimmer Cap

Used with the clamp plates to secure the sleeves in place during the trimming operation.

13 Size 06 Sleeve Trimmer With Pilot

This is the trimming bit used with the sleeve trimmer tool (3).

14 Size 08 Sleeve Trimmer With Pilot

This is the trimming bit used with the sleeve trimmer tool (3).

15 Flathead Screwdriver

Use to remove the 100 degree nose from the base if necessary.

16 Wrench

Both wrenches are used to tighten the cap against the base to secure the sleeve during the trimming operation.

** NOTE: All clamp plates are used to securely hold sleeves against the base (either flush or 100 degree nose) during the trimming operation.*

For use with Click Bond BOLTMOD® sleeve numbers JK5501, JK5541, JK5502, JK5542, JK5506, JK5546, JK5507, JK5547.

©2021 Click Bond, Inc. All rights reserved. Click Bond and the stylized logo, and BOLTMOD®, are trademarks, or registered trademarks, of Click Bond, Inc. Registered, U.S. Patent and Trademark Office.

CB7200256-C

Printed in U.S.A.



2151 Lockheed Way
Carson City, NV 89706
+1.775.885.8000
WWW.CLICKBOND.COM