



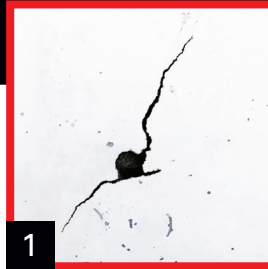
ADHESIVE - BONDED FASTENER TECHNOLOGY

Click Patch® Rapid Repair Kit



From Leak to Flight
in Less Than 30 Minutes

- Rapid repair of leaking fasteners, skin punctures, and other light damage
- Can be applied over an active, running leak WITHOUT DE-FUELING
- Proprietary installation fixture enables installation of patch without tools
- Adhesive cure in approximately 30 minutes
- Standard repair on OEM and military platforms for more than 30 years

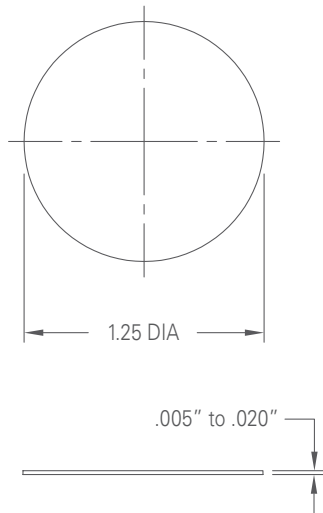


PIONEERING > ADVANCED > SOLUTIONS

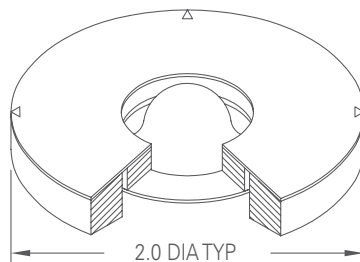
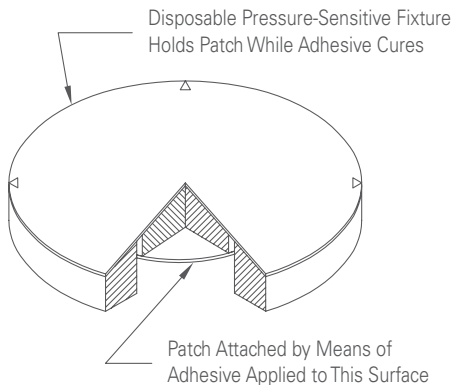
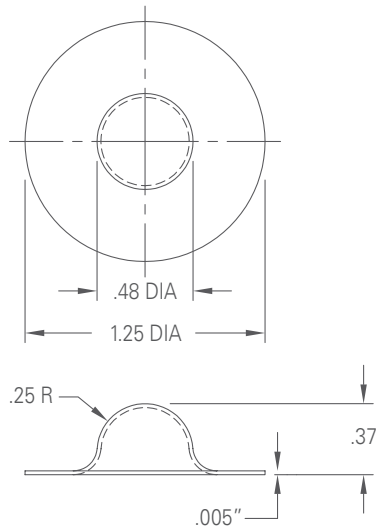
Click Patch® Rapid Repair Kit | Technical Specifications



Flat Patch



Domed Patch



Patch Material: Anodized Aluminum

Kit Contents

- Flat Click Patch
- Domed Click Patch
- Abrasive Pad
- Solvent Wipe
- Adhesive
- Adhesive Mixing Plate
- Adhesive Mixing Stick
- Installation Instructions



2151 Lockheed Way
Carson City, NV 89706
+1.775.885.8000
CLICKBOND.COM

©2019 Click Bond, Inc. All rights reserved. Click Bond, the stylized logo, and Click Patch are trademarks, or registered trademarks, of Click Bond, Inc. Registered, U.S. Patent and Trademark Office.

CB7200215-B
Printed in U.S.A