



**CLICK
BOND®**

Adhesive-Bonded Assembly Technology

SLEEVE SOLUTIONS

PIONEERING > ADVANCED > SOLUTIONS

SLEEVE TRIMMER KIT

ACRES® Sleeves Prevent & Repair Oversized Hole Conditions Quickly & Economically

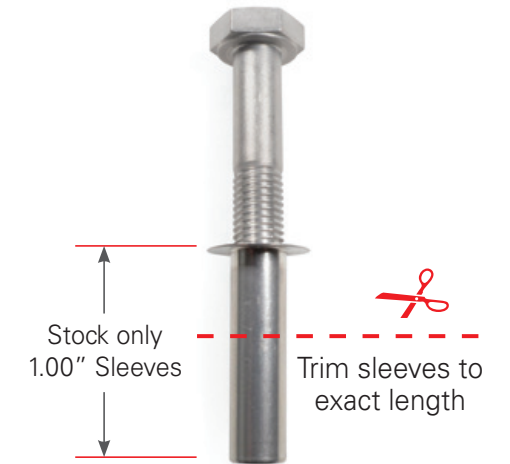


- Reduce turn-time, installation cost, & weight
- Eliminate costly, long lead-time, oversized fasteners
- Prolong the life of structural composite panels
- Repair damage from structural corrosion & misdrilled holes
- Ensures fastener head flushness in countersunk holes with depth control installation fixture
- Offers A-286 stainless-steel construction for longevity and corrosion prevention
- Provides compatibility with protruding head, 100-degree, and 130-degree fastener heads



Trim BOLTMOD® Sleeves to Create 1st and 2nd Oversized 06 and 08 Bolts in Minutes

- Eliminate the need for stocking oversized bolts
- Mitigate AOG status due to out-of-stock oversized bolts
- Require less inventory, and stock only 1" length 06 and 08 sleeves
- Kit includes all required tools*
- Trimmer tool is precision-engineered for accuracy and durability
- Heavy-duty storage case makes tools easily accessible and portable



Scan to view kit demonstration video.

*Trimmer kit requires 200-500 RPM drill motor (not included)



- 1 **Case With Die Cut Foam and Label**
Store tools, when not in use, in this portable case.
- 2 **Wrenches**
Both wrenches are used to tighten cap against base to secure sleeve during the trimming operation.
- 3 **Flathead Screwdriver**
Use to remove the 100-degree nose from the base if necessary.
- 4 **Size 08 Sleeve Trimmer with Pilot**
Trimming bit to be used with sleeve trimmer tool (7).
- 5 **Size 06 Sleeve Trimmer with Pilot**
Trimming bit to be used with sleeve trimmer tool (7).
- 6 **Sleeve Trimmer Cap**
Used with clamp plates to secure sleeves in place during trimming operation.
- 7 **Sleeve Trimmer Tool**
Used with the piloted trimmers (4 and 5) to trim sleeves to the desired length.
- 8 **Deburr Tool**
Used to smooth end of sleeve after trimming to remove any burrs left behind from trimming operation.
- 9 **1/8" Hex Wrench**
Used to remove set screw from flat base if necessary.
- 10 **1/16" Hex Wrench**
Used to remove pilot pins from trimmer when trimmer replacement is needed.
- 11 **Sleeve Trimmer Base with 100-Degree Nose Center**
Used to mate to the 100-degree sleeve during clamping to secure the sleeve during the trimming operation.
- 12 **Sleeve Trimmer Base with Set Screw, Base**
Used to fill base hole, preventing shavings from filling base during trimming operation.
- 13 **Size 06 Sleeve Trimmer First Oversized Clamp Plate***
- 14 **Size 06 Sleeve Trimmer Second Oversized Clamp Plate***
- 15 **Size 08 Sleeve Trimmer First Oversized Clamp Plate***
- 16 **Size 08 Sleeve Trimmer Second Oversized Clamp Plate***

* NOTE: All clamp plates are used to securely hold sleeves against the base (either flush or 100-degree nose) during trimming operation.



ACCESSORY KITS

CB787P PANDOR® Accessories

Use this kit with the CB787 Sleeve Trimmer Kit, which trims BOLTMOD sleeves, to trim PANDOR sleeves when the panel thickness is in 1/16" increments. PANDOR sleeves can be custom trimmed to meet your exact needs, from original design build through small level repair, up to depot-level overhaul.



CB787M Metric Accessories

The CB787M accessory kit supports metric BOLTMOD sleeves, creating oversized bolts quickly and cost-effectively. This level of support will reduce lead times, need to stock inventory, and potential downtime when an oversized fastener is a necessity.



ACRES® SLEEVES

PANDOR® Clearance Fit Sleeves *Product images not to scale.*



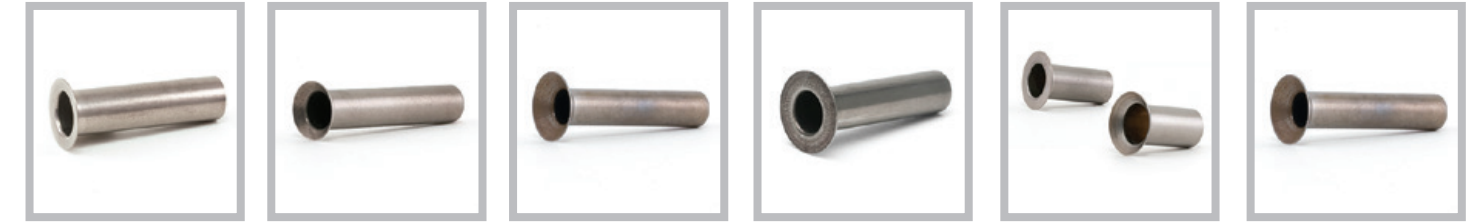
Basic Part Number	Internal Diameter	Surface Finish	Fixture Type	Head Style
CB5906	55, 06, 08, 10, 12	–, B, C, P, AC	None, E, N	100° Flush Tension
CB5907	55, 06, 08, 10, 12	–, B, C, P	E, N	Protruding
CB5908	55, 06, 08, 10, 12	–, B, P, AC	None, E, N	130° Flush
CB5946	55, 06, 08, 10, 12	–, B, C, P, AC	None, E, N	100° Flush Tension, Second Oversize
CB5947	55, 06, 08, 10, 12	–, B, C, P	E, N	Protruding, Second Oversize
CB5948	55, 06, 08, 10, 12	–, B, P, AC	None, E, N	130° Flush, Second Oversize

Imperial Internal Diameters	
Code	Size
05	0.1562
55	0.1640
06	0.1900
08	0.2500
10	0.3125
12	0.3750
14	0.4375
16	0.5000

Metric Internal Diameters	
Code	Size
04	4,0
05	5,0
06	6,0
08	8,0
10	10,0
12	12,0



BOLTMOD® Interference Fit Sleeves *Product images not to scale.*



Basic Part Number	Internal Diameter	Surface Finish	Head Style
JK5501 & JK5541	05, 55, 06, 08, 10, 12	N, C	Protruding Shear, First Oversize Diameter
JK5502	05, 55, 06, 08, 10, 12, 14, 16	N, C	100° Flush Shear, First Oversize Diameter
JK5506	05, 55, 06, 08, 10, 12, 14, 16	N, C	100° Flush Tension, First Oversize Diameter
JK5507	05, 55, 06, 08, 10, 12, 14, 16	N, C	Protruding Tension, First Oversize Diameter
JK5541	06, 08, 10, 12	N, C	Protruding Shear, Second Oversize Diameter
JK5542	06, 08, 10, 12, 14, 16	N, C	100° Flush Shear, Second Oversize Diameter
JK5546	06, 08, 10, 12, 14, 16	N, C	100° Flush Tension, Second Oversize Diameter
JK5547	06, 08, 10, 12	N, C	Protruding Tension, Second Oversize Diameter
JK5701	04, 05, 06, 08, 10, 12	N, AC	Protruding, Metric, First Oversize Diameter
JK5702	04, 05, 06, 08, 10, 12	N, AC	100° Flush Shear, Metric, First Oversize Diameter
JK5706	04, 05, 06, 08, 10, 12	N, AC	100° Flush Tension, Metric, First Oversize Diameter
JK5721	04, 05, 06, 08, 10, 12	N, AC	Protruding, Second Oversize Diameter, Metric
JK5722	05, 06, 08, 10, 12	N, AC	100° Flush Shear, Second Oversize Diameter, Metric
JK5726	04, 05, 06, 08, 10, 12	N, AC	100° Flush Tension, Second Oversize Diameter, Metric

Basic Part Number	Internal Diameter	Surface Finish	Head Style
JK5501	05, 55, 06, 08, 10, 12	N, C	Protruding Shear, First Oversize Diameter
JK5502	05, 55, 06, 08, 10, 12, 14, 16	N, C	100° Flush Shear, First Oversize Diameter
JK5506	05, 55, 06, 08, 10, 12, 14, 16	N, C	100° Flush Tension, First Oversize Diameter
JK5507	05, 55, 06, 08, 10, 12, 14, 16	N, C	Protruding Tension, First Oversize Diameter
JK5541	06, 08, 10, 12	N, C	Protruding Shear, Second Oversize Diameter
JK5542	06, 08, 10, 12, 14, 16	N, C	100° Flush Shear, Second Oversize Diameter
JK5546	06, 08, 10, 12, 14, 16	N, C	100° Flush Tension, Second Oversize Diameter
JK5547	06, 08, 10, 12	N, C	Protruding Tension, Second Oversize Diameter
JK5701	04, 05, 06, 08, 10, 12	N, AC	Protruding, Metric, First Oversize Diameter
JK5702	04, 05, 06, 08, 10, 12	N, AC	100° Flush Shear, Metric, First Oversize Diameter
JK5706	04, 05, 06, 08, 10, 12	N, AC	100° Flush Tension, Metric, First Oversize Diameter
JK5721	04, 05, 06, 08, 10, 12	N, AC	Protruding, Second Oversize Diameter, Metric
JK5722	05, 06, 08, 10, 12	N, AC	100° Flush Shear, Second Oversize Diameter, Metric
JK5726	04, 05, 06, 08, 10, 12	N, AC	100° Flush Tension, Second Oversize Diameter, Metric

YOUR CHALLENGES. OUR SOLUTIONS.



**CLICK
BOND®**

Expanding the Possible

Our engineers and scientists strive to be virtual extensions of your design team, refining design ideas together. Our state-of-the-art technology includes:

- Solid Works 3D modeling
- FEA (Finite Element Analysis)
- In-house 3D prototype printing
- GOM laser measuring system

+1.775.885.8000 WWW.CLICKBOND.COM

2151 Lockheed Way, Carson City, NV 89706

© 2022 Click Bond, Inc. All rights reserved. Click Bond and the stylized logo are trademarks or registered trademarks of Click Bond, Inc. Registered, U.S. Patent and Trademark Office.

CB7200295-B

PIONEERING > ADVANCED > SOLUTIONS